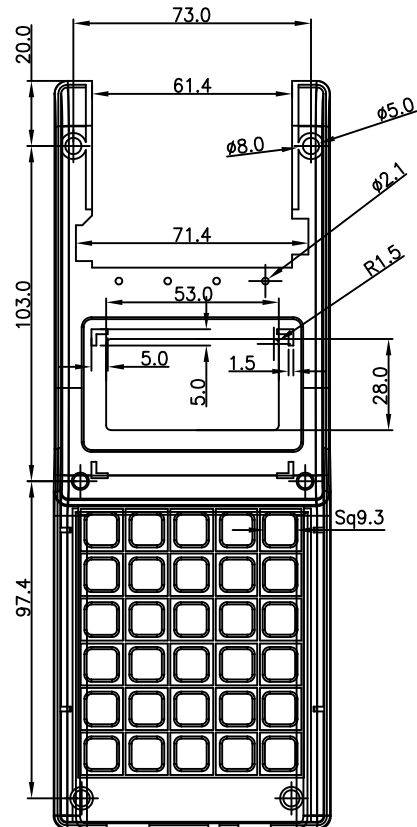
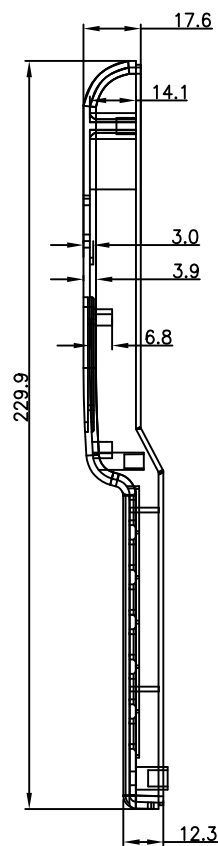
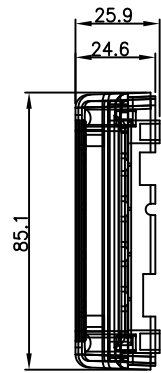
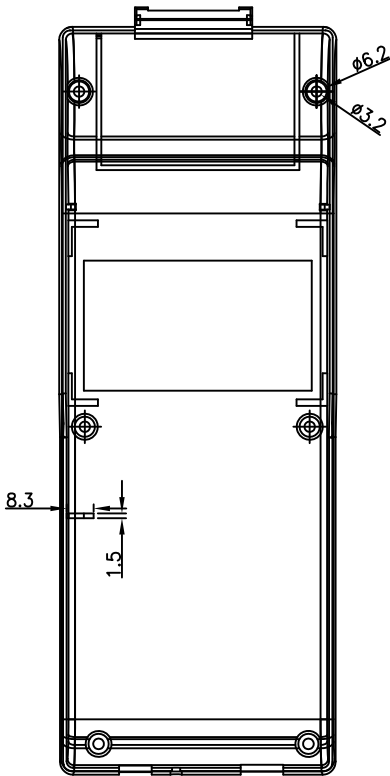
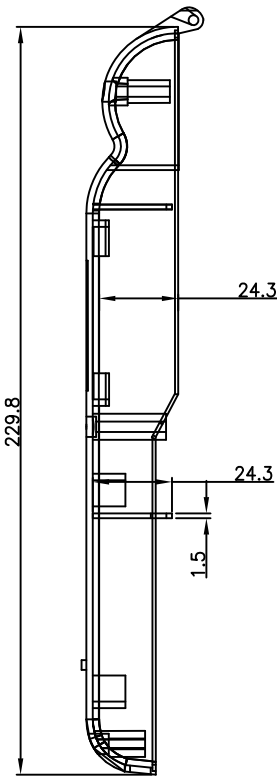
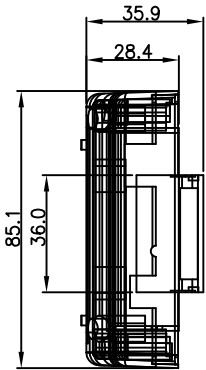


Handheld Enclosure

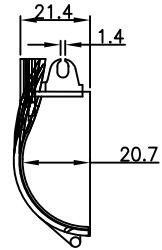
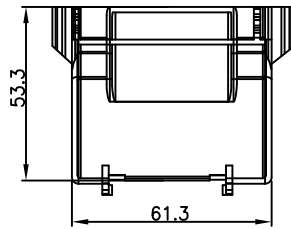
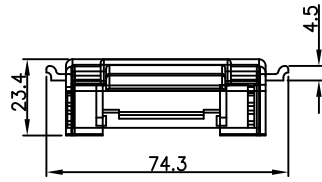


TOP COVER

Handheld Enclosure

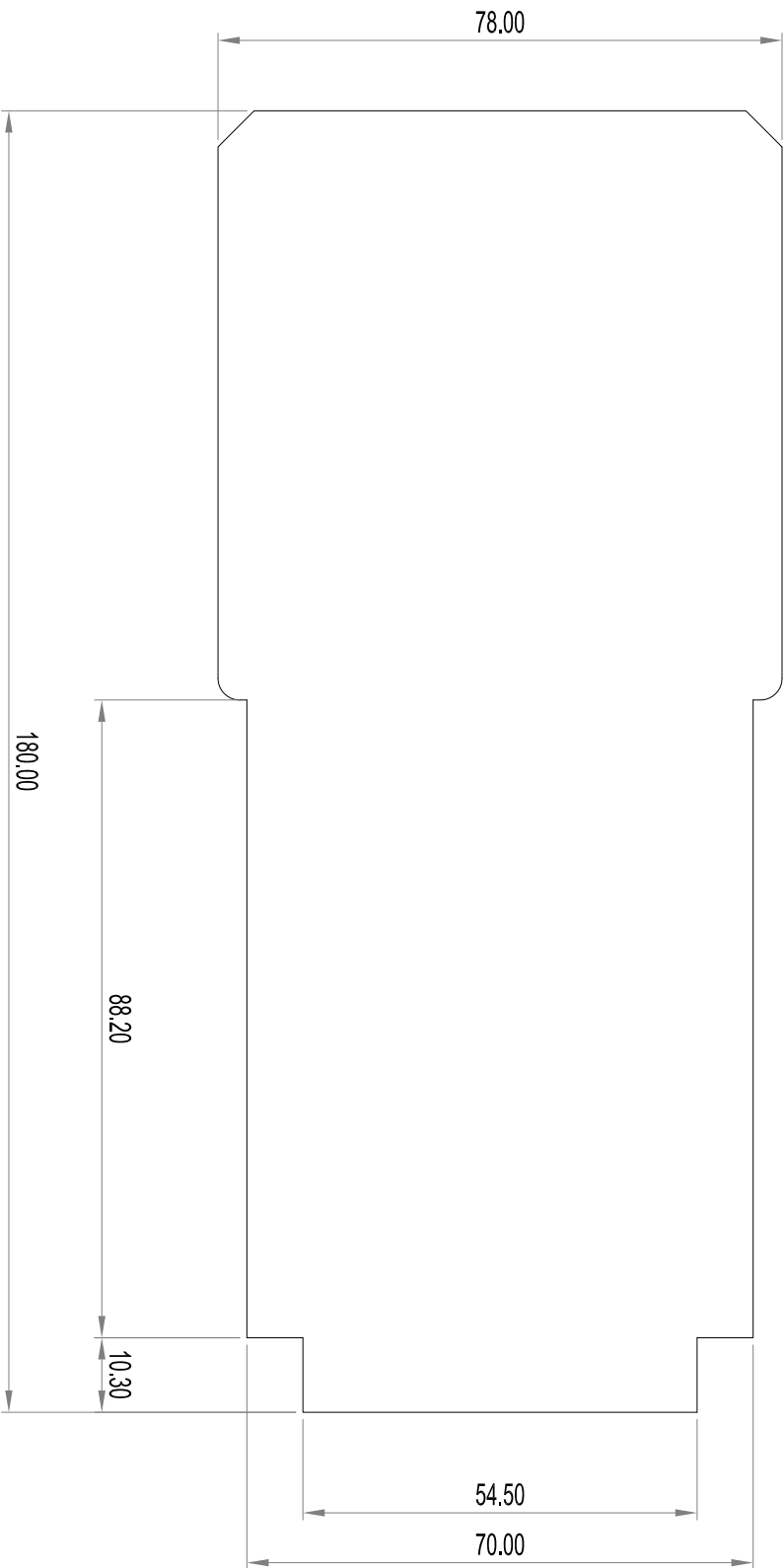


BOTTOM COVER



PRINTER FLAP

PCB



MATERIAL : HRC : 48 - 50

FINISH : FINISH : HRC : 48 - 50

CONFIDENTIAL : The contents of this document must not be copied or communicated to a third party without the written permission of the company.

QUANTITY:	REFERER BOM



RAJAMANE ELECTRIC PVT LTD
3 Doddanekundi Ind Area
Mahadevpura
Bangalore - 560048

SCALE : 1 : 1
DIMMS IN : mm

TOLERANCES	
General Clearance	Angular Tolerance
0 = ± 0.50	0 = ± 0.1°
0.0 = ± 0.10	0.0 = ± 0.01"
0.00 = ± 0.030	0.00 = ± 0.001"

UNLESS OTHERWISE STATED

REV	AMENDMENTS	DRAWN	CHECKED	APPROVED	DATE
00	ISSUED				

TITLE : PCB

PROJECTION :

DRAWING No. 11RTE001 UOF :
SHEET No. 1 OF 1